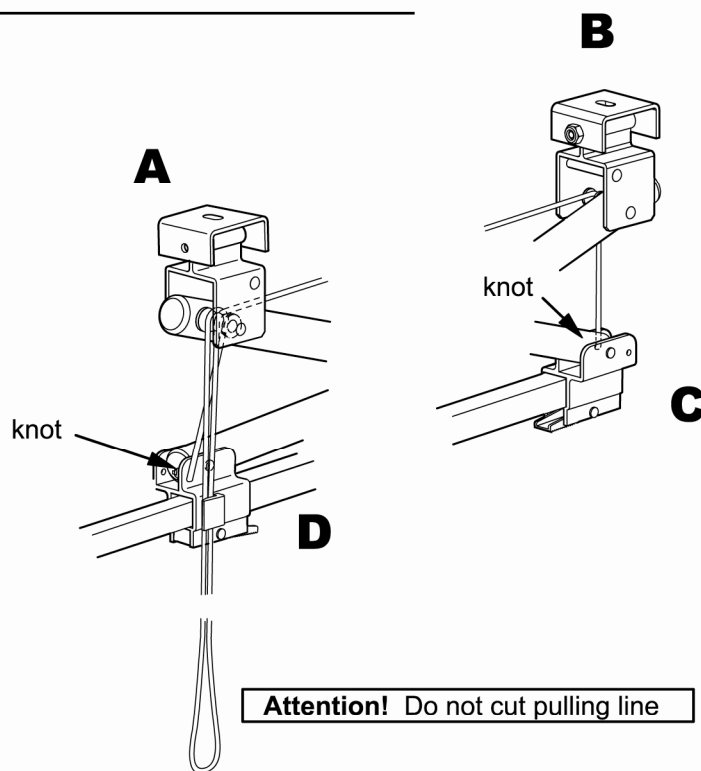
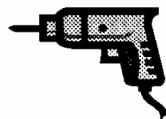


Replacing pulling line



Pass pulling line (longer distance between end and knot) through joint **A** over roller, then through joint **B** over roller threading through hole in **C**. Knot line as close as possible to end. Pass other end of pulling line (shorter distance between end and knot) through joint **A** over roller and thread end of line through hole in **D**. knot line as close as possible to end.

necessary tools:



1 Person	Schraubenzieher Nr. 4	Gabelschlüssel 2 Stk. Nr. 8	Bohrmaschine mit 6er Steinbohrer	Schutzbrille
1 personne	Tournevis no. 4	Clé à fourche de 8 mm, 2 pièces	perceuse avec mèche à pierre de 6 mm	Lunettes de protection
1 person	Screwdriver no. 4	2 open-end spanners no. 8	Drill with no. 6 concrete bit	Safety glasses
1 persona	Cacciavite nr. 4	Chiave fissa 2 pz. nr. 8	Trapano con punta da 6 per forare murature	Occhiali di protezione

Stewi AG Rudolf Diesel - Strasse 11 Postfach CH - 8401 Winterthur
Tel. ++41 (0)52 232 25 21 Fax. ++41 (0)52 233 23 36
Stewi GmbH Uhlandstrasse 196 D - 78224 Singen
Tel. ++49 (0)75 315 00 36 Fax. ++49 (0)75 315 66 56
www.stewi.com / mail@stewi.com

Mounting Instructions for CEILING DRYER LIFT

Following parts are needed for assembly:



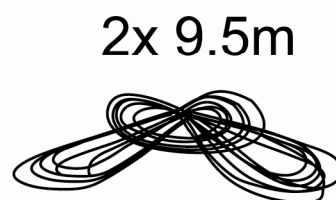
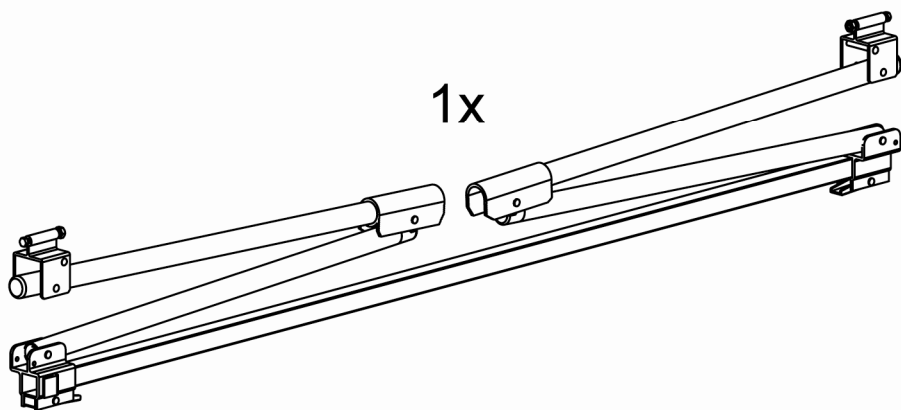
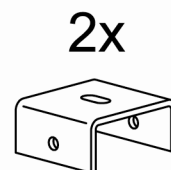
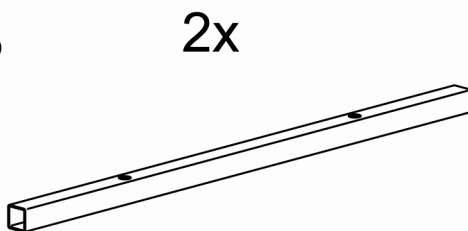
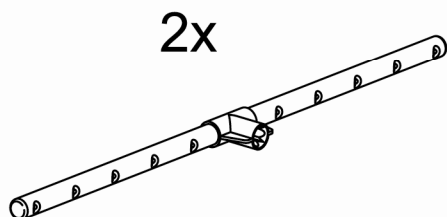
E-Z Toggle



M5



M5



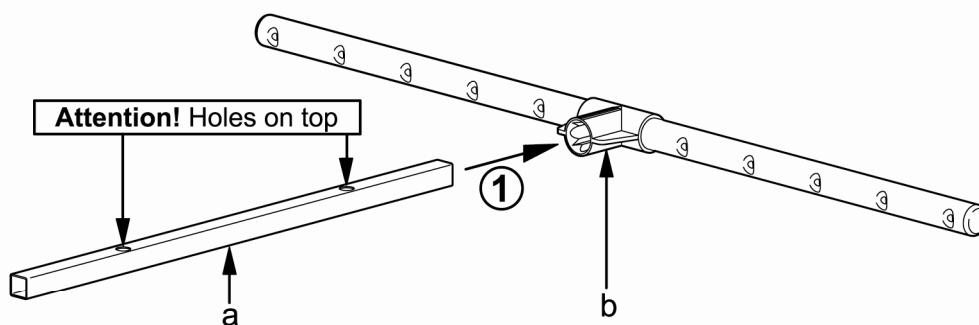
professional installation recommended

Montage professionnel recommandé

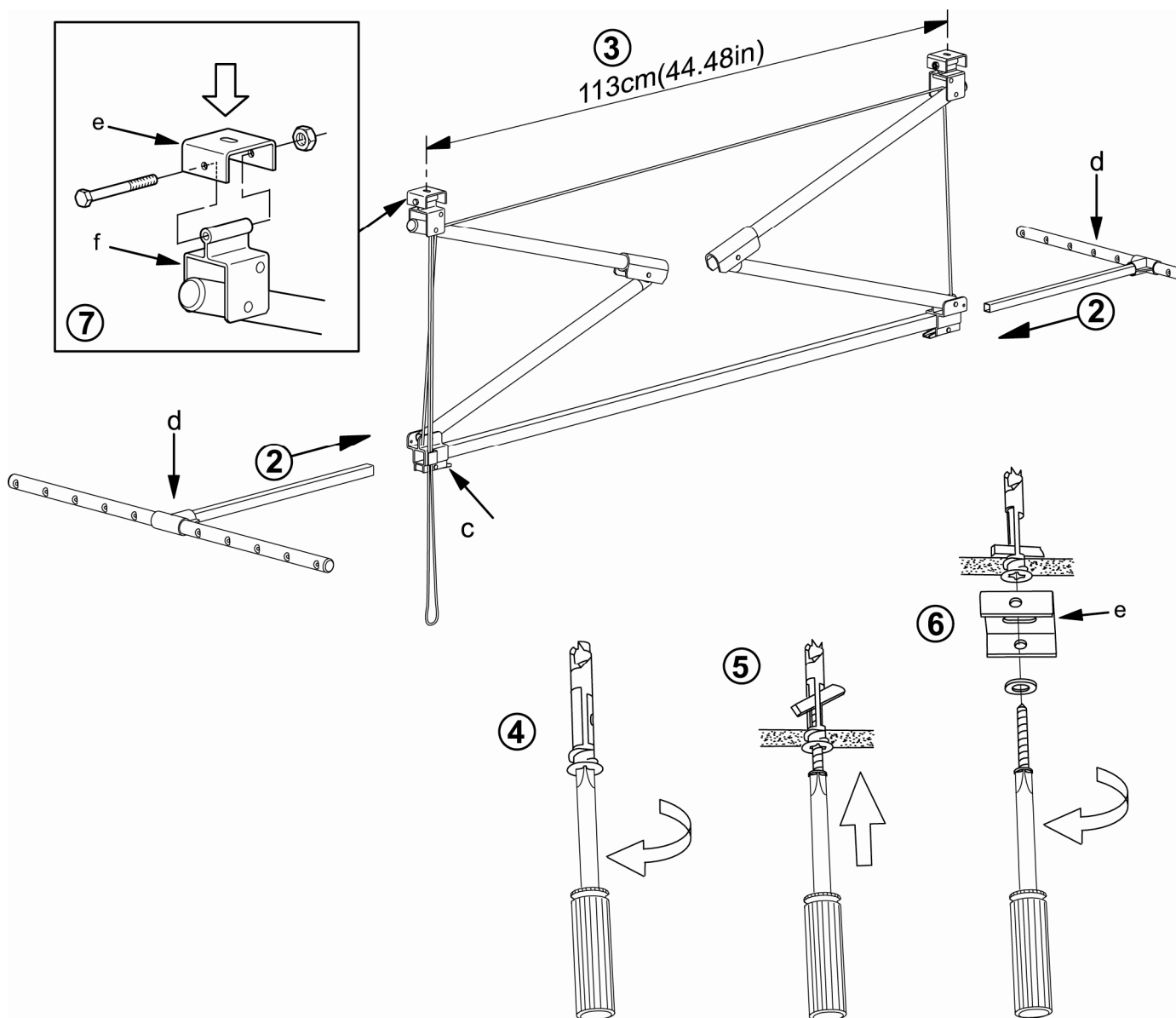
Instructions:

please follow steps ① to ⑩

2x

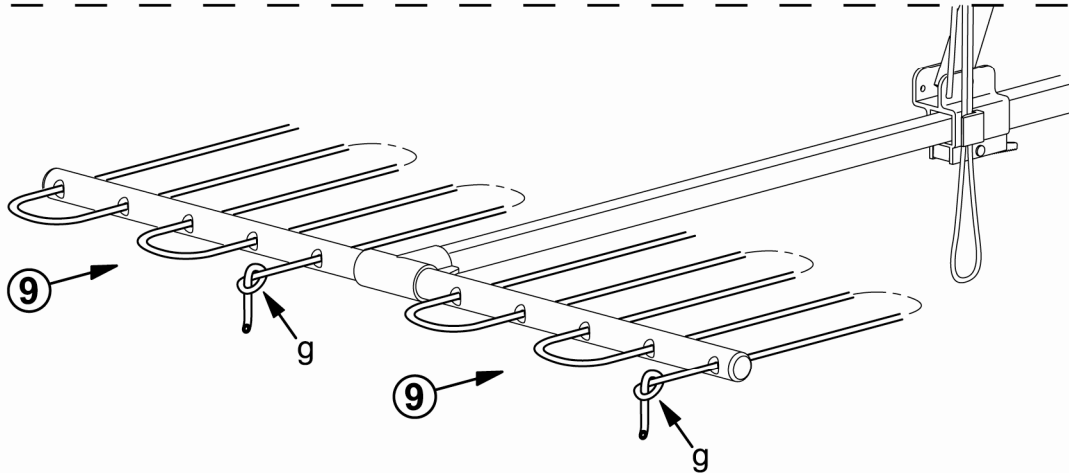
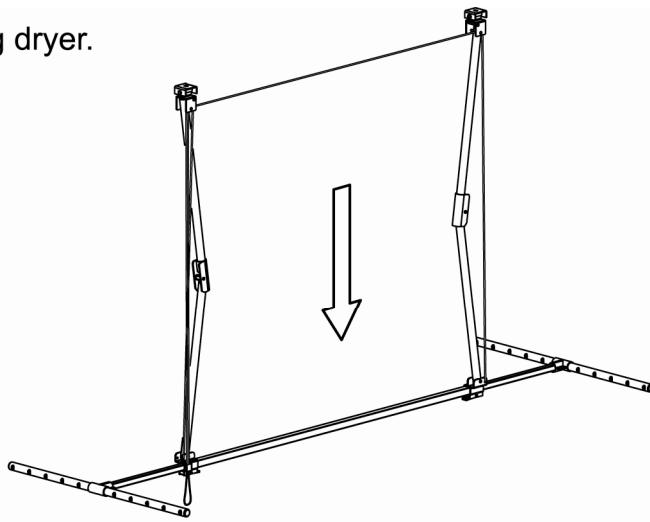


① Push square aluminium profile (a) into connecting part (b)

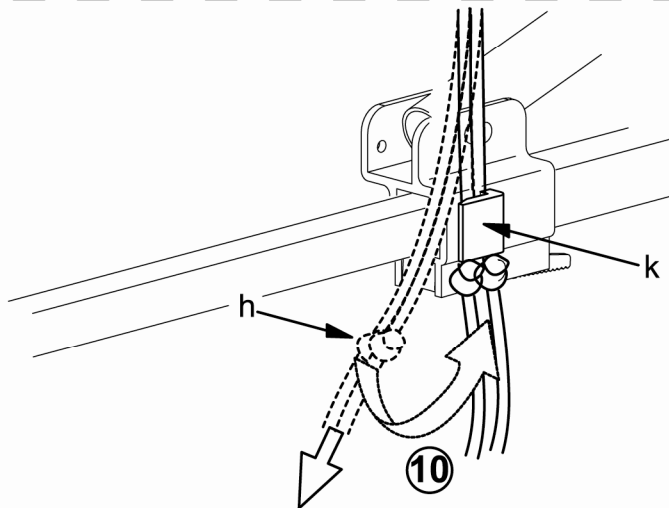


- ② Release black lever (c) and push both slide parts (d) with holes pointing downwards into centre part.
- ③ Mark holes on the ceiling for drilling holes (Distance 113cm 44.48 inches apart)
- ④ Using a #2 Phillips screwdriver, drill the E-Z Toggle anchor into the drywall until the head of the anchor is seated flush.
- ⑤ To "set" the clamp behind the drywall, place the mounting screw into the anchor and push or tap firmly until approximately 1" of screw is protruding (do not rotate). Then remove the screw.
- ⑥ Place ceiling holder (e) over E-Z toggle, insert screw with washer and continue to turn until fastened tightly.
- ⑦ Mount joint profile (f) onto ceiling holder (e).

- ⑧ Lower ceiling dryer.



- ⑨ Insert washing lines on both sides with the length you desire (max. 184cm.)M (72.44 inches) and fix with knot at the ends (g).



- ⑩ Pull the pulling line to raise ceiling dryer and insert both knots (h) in pulling line into clamp profile (k) of ceiling dryer

ATTENTION ! Do not cut pulling line.
You may lay it over working line to have it out of the way.

Maximum product weight

Poids maximal autorisé

18 pounds (8.2kg)